

# JA Standard Module Packaging Introduction

Packaging Introduction Packaging Introduction Packaging Introduction Packaging Introduction Packaging Introduction Packaging Introduction Packaging Introduction Packaging Introduction Packaging Introduction Packaging Introduction Packag

2023.V1.0

**JA**SOLAR

**JA Solar Technology Co., Ltd.**

Add: Building No.8, Nuode Center, Automobile Museum East Road, Fengtai District, Beijing,China  
Tel: +86 (10) 63611888  
Email: sales@jasolar.com

**JA**SOLAR

Doc. No.: 2023.V1.0



## Note:

This introduction is only for the JA Standard Module Packaging. All information is based on the following series module packaging:

**JAM54S30 MR/ JAM66S30 MR/ JAM72S30 MR/ JAM78S30 MR Series**

**JAM54D30 MB/ JAM72D30 MB/ JAM78D30 MB/ JAM72D40 MB/ JAM54D40 MB/ JAM78D40 MB Series**

**JAM54S30 GR/ JAM72S30 GR/ JAM78S30 GR/ JAM54S40 GR/ JAM72S40 GR/ JAM78S40 GR Series**

**JAM54D30 GB/ JAM72D30 GB/ JAM78D30 GB/ JAM54D40 GB/ JAM72D40 GB/ JAM78D40 GB Series**

**JAM54S30 LR/ JAM72S30 LR/ JAM72D30 LB/ JAM54D40 LB/ JAM72D40 LB/ JAM72D42 LB/ JAM66D45 LB Series**

JA Solar reserves the right to make changes to the packaging specification without prior notice.

## 1. Basic Knowledge

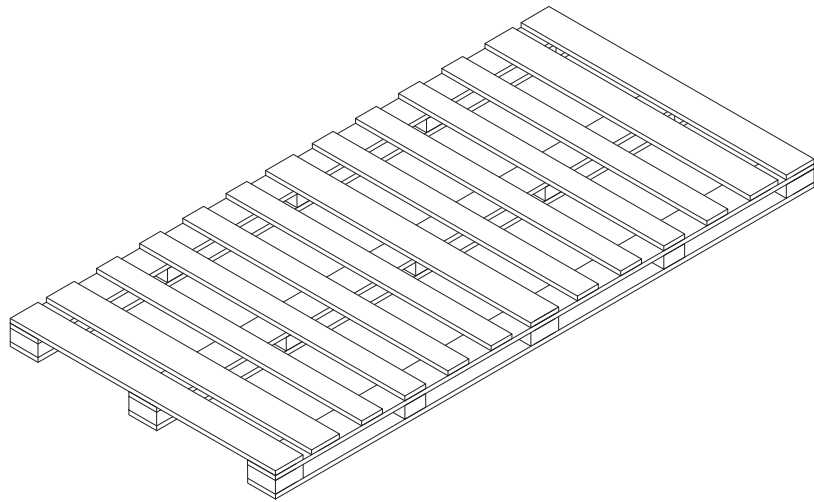
No.	Module Type	Module				Dimension of packaging					40HQ Container	
		Dimension of module			Weight	Dimension of packaging -case (with pallet)			Module QTY Per Pallet	Weight	Pallet QTY per container	Total Module QTY
		L	W	H		L	W	H				
		[mm]	[mm]	[mm]	[kg]	[mm]	[mm]	[mm]	[kg]	[Pallet]		
1	JAM54S30 MR Series	1722	1134	30	19.5	1750	1135	1252	36	742±3%	26	936
2	JAM66S30 MR Series	2093	1134	30	25.2	2120	1135	1252	36	955±3%	22	792
3	JAM72S30 MR Series	2278	1134	35	28.1	2330	1135	1252	31	936±3%	20	620
		2278	1134	30	27.3	2330	1135	1252	36	1031±3%	20	720
4	JAM78S30 MR Series	2465	1134	35	30.5	2520	1135	1252	31	1010±3%	16	496
5	JAM54D40 GB Series (1.6mm glass)	1722	1134	30	21.5	1772	1135	1252	36	825±3%	26	936
	JAM54D40 GB Series (2.0mm glass)	1722	1134	30	25.5	1772	1135	1252	36	969±3%	26	936
6	JAM72D30 MB Series	2278	1134	35	31.8	2330	1135	1252	31	1051±3%	20	620
		2278	1134	30	31.8	2330	1135	1252	36	1210±3%	20	720
7	JAM78D30 MB Series	2465	1134	35	34.6	2520	1135	1252	31	1133±3%	16	496
8	JAM54S30 GR Series	1722	1134	30	19.5	1750	1135	1252	36	742±3%	26	936
9	JAM72S30 GR Series	2278	1134	30	27.3	2330	1135	1252	36	1031±3%	20	720
10	JAM78S30 GR Series	2465	1134	35	30.5	2520	1135	1252	31	1010±3%	16	496
11	JAM54D30 GB Series (1.6mm glass)	1722	1134	30	21.5	1772	1135	1252	36	825±3%	26	936
	JAM54D30 GB Series (2.0mm glass)	1722	1134	30	25.5	1772	1135	1252	36	969±3%	26	936

No.	Module Type	Module				Dimension of packaging					40HQ Container	
		Dimension of module			Weight	Dimension of packaging -case (with pallet)			Module QTY Per Pallet	Weight	Pallet QTY per container	Total Module QTY
		L	W	H		L	W	H				
		[mm]	[mm]	[mm]		[mm]	[mm]	[mm]				
12	JAM72D30 GB Series	2278	1134	30	31.8	2330	1135	1252	36	1210±3%	20	720
13	JAM78D30 GB Series	2465	1134	35	34.6	2520	1135	1252	31	1133±3%	16	496
14	JAM54D40 GB Series (1.6mm glass)	1722	1134	30	21.5	1772	1135	1252	36	825±3%	26	936
	JAM54D40 GB Series (2.0mm glass)	1722	1134	30	25.5	1772	1135	1252	36	969±3%	26	936
15	JAM72D40 GB Series	2278	1134	30	31.8	2330	1135	1252	36	1210±3%	20	720
16	JAM78D40 GB Series	2465	1134	35	34.6	2520	1135	1252	31	1133±3%	16	496
17	JAM54D40 MB Series (1.6mm glass)	1722	1134	30	21.5	1772	1135	1252	36	825±3%	26	936
	JAM54D40 MB Series (2.0mm glass)	1722	1134	30	25.5	1772	1135	1252	36	969±3%	26	936
18	JAM72D40 MB Series	2278	1134	30	31.8	2330	1135	1252	36	1210±3%	20	720
19	JAM78D40 MB Series	2465	1134	35	34.6	2520	1135	1252	31	1133±3%	16	496
20	JAM54S30 LR Series	1762	1134	30	20.0	1790	1135	1252	36	765±3%	26	936
21	JAM72S30 LR Series	2333	1134	30	28.0	2360	1135	1252	36	1068±3%	20	720
22	JAM72D30 LB Series	2333	1134	30	32.5	2360	1135	1252	36	1254±3%	20	720
23	JAM54D40 LB Series (1.6mm glass)	1762	1134	30	22.0	1790	1135	1252	36	845±3%	26	936
	JAM54D40 LB Series (2.0mm glass)	1762	1134	30	26.0	1790	1135	1252	36	989±3%	26	936
24	JAM72D40 LB Series	2333	1134	30	32.5	2360	1135	1252	36	1254±3%	20	720
25	JAM72D42 LB Series	2465	1134	35	34.6	2492	1135	1252	31	1133±3%	16	496
26	JAM66D45 LB Series	2384	1134	30	33.7	2400	1135	1252	36	1275±3%	20	720

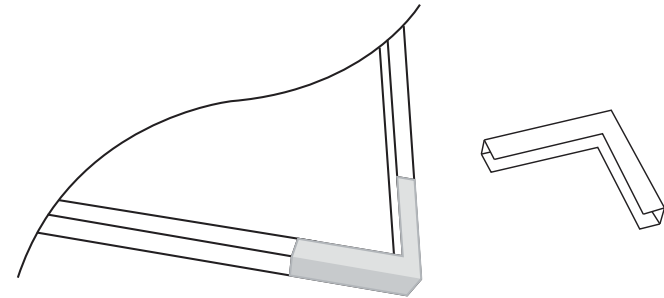
\*The quantities of PV modules are only for reference, please follow the regulations of local weight restriction or policies.

## 2. Packaging Steps

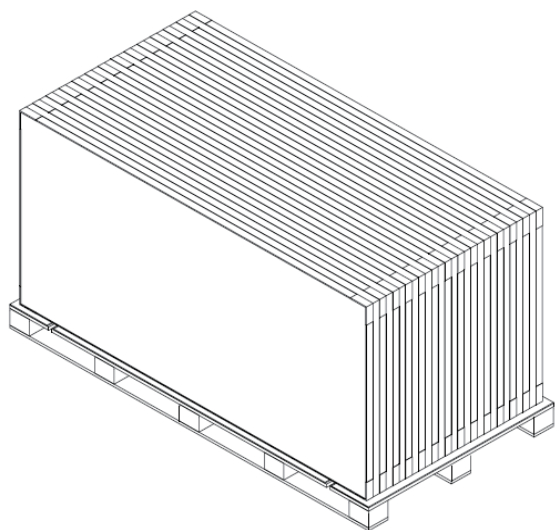
1) Lay up the plywood pallet.



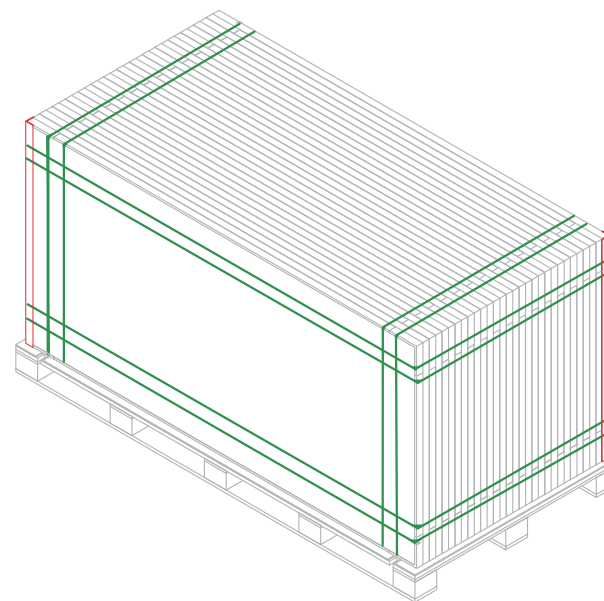
2) Attach the stacking corners to the modules.



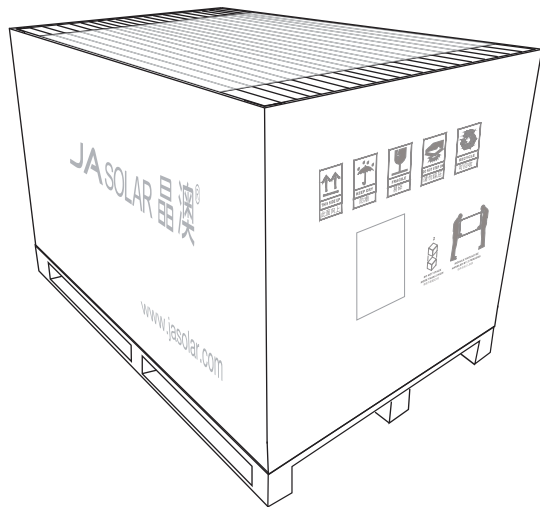
3) Place the modules on to the pallet  
with the first and last modules  
front side facing outwards.



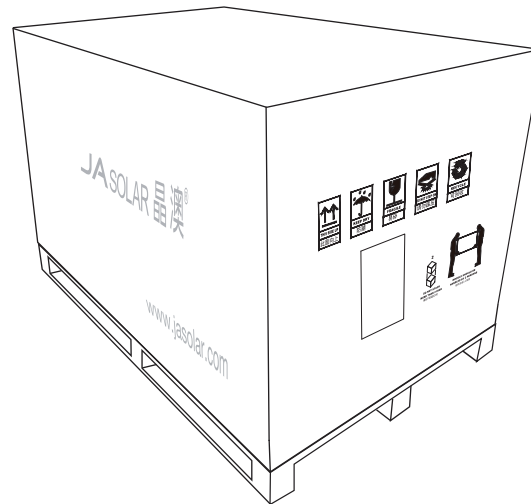
4) Use the strapping bands along the long side and short side of  
the module for fixing separately,ensure the packing is secure.



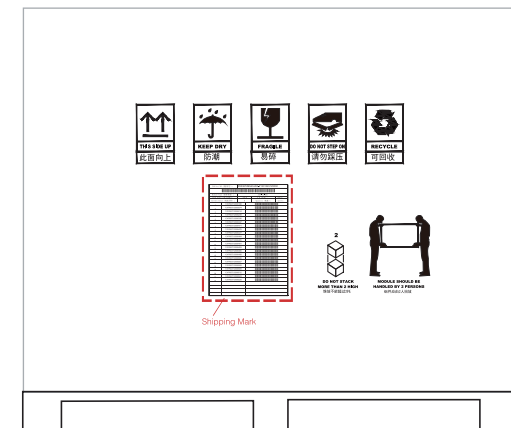
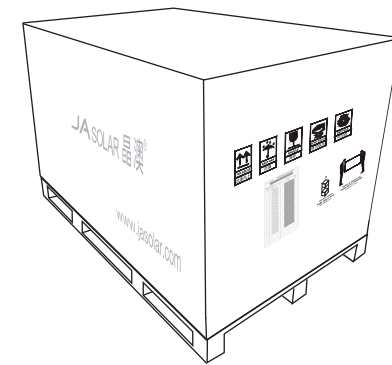
5) Place the cardboard surrounding piece around the modules.



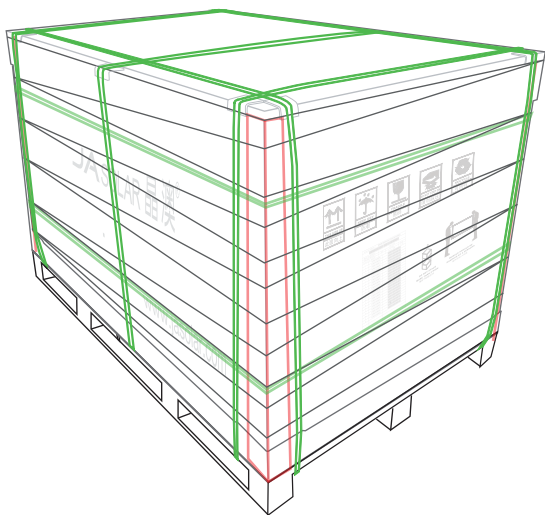
6) Place the cardboard cover on the package.



7) Attach the shipping marks on to the cardboard box.



8) Place 4 pieces vertical hardboard on the corner of cardboard box. Use strapping bands to fix the package in each direction, and seal the package with wrapping film to protect the carton.



### 3. Stacking of the packages.

The packages can be piled up to a maximum of 2 layers.

